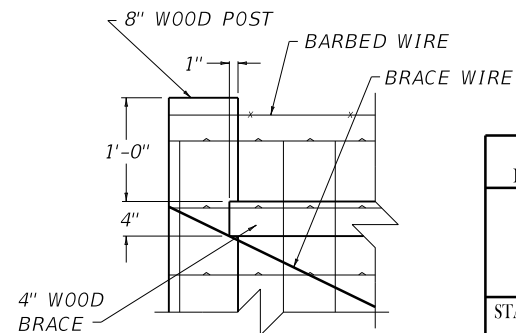


ALTERNATE METHODS OF SECURING VERTICAL STAY WIRE TO THE HORIZONTAL WIRE OF THE FABRIC.

DETAIL "A"



DETAIL "B"

~ NOTES ~

BID ITEM AND UNIT TO BID  
FENCE-WOVEN WIRE TYPE 2  
CONCRETE-CLASS B

LF  
CUYD

1. ON INTERMEDIATE PULL POST ASSEMBLIES, BRACE WIRES SHALL BE REQUIRED FOR BOTH DIRECTIONS.
2. WOVEN-WIRE FABRIC SHALL BE EITHER ALUMINUM-COATED STEEL NO. 1047-6-9 OR ZINC-COATED STEEL NO. 1047-6-9.

KENTUCKY  
DEPARTMENT OF HIGHWAYS

WOVEN WIRE  
FENCE TYPE 2

STANDARD DRAWING NO. RFW-006-07

SUBMITTED	<i>W. S. Galt</i>	12-01-15
DESIGNED BY	DATE OF DESIGN	DATE
APPROVED	<i>W. S. Galt</i>	12-01-15
STATE HIGHWAY ENGINEER	DATE	DATE